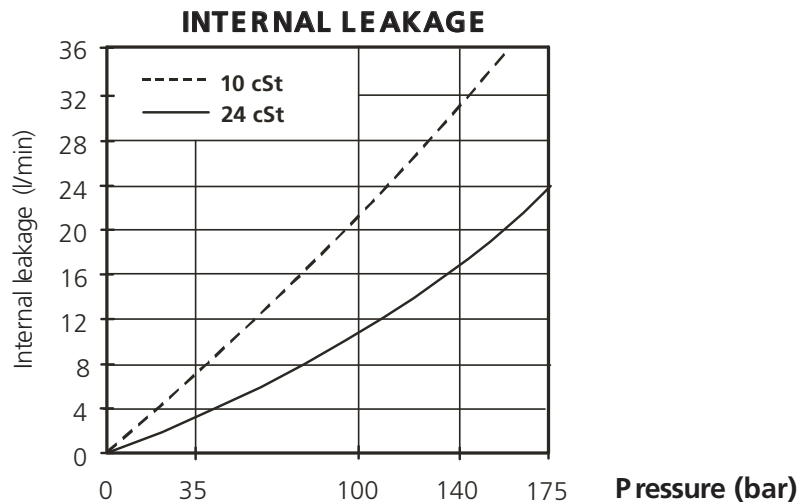
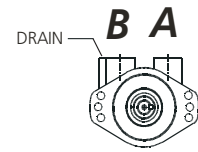
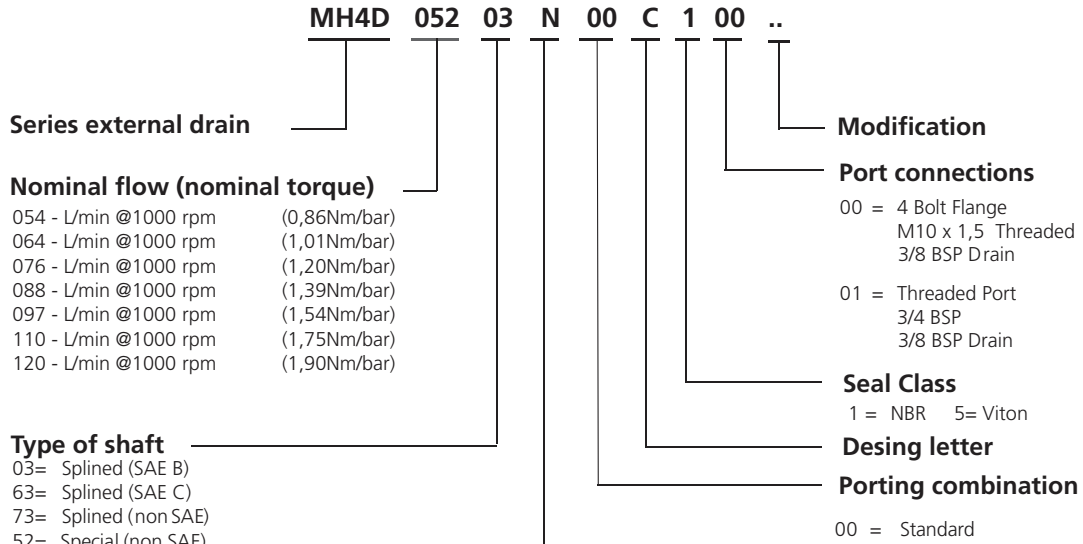


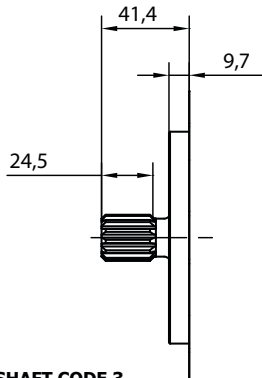
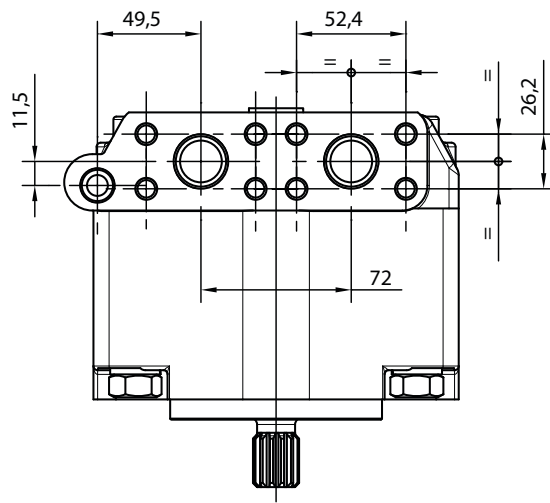
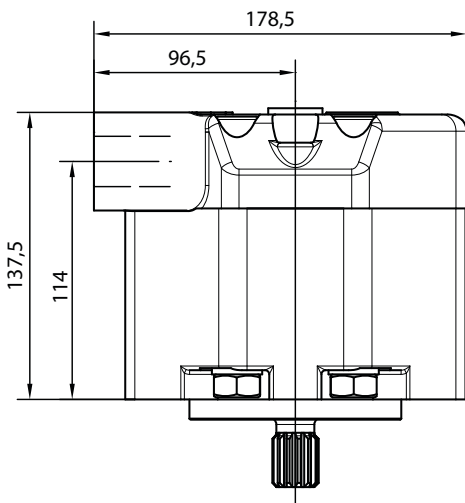
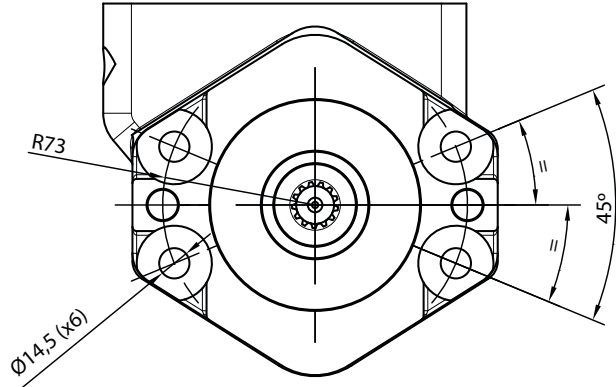
MH4D - ORDERING CODE & OPERATING CHARACTERISTICS

DATA SHEET

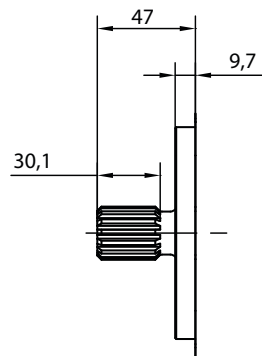


DIMENSIONS, SHAFTS & PORT CONNECTIONS - MH4D

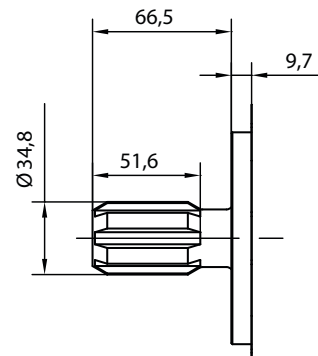
DIMENSIONS IN MILLIMETERS. 1" = 25,4 mm



SHAFT CODE 3
SAE B Splined shaft 1-J498b
16/32 d.p. - 13 teeth
30° pressure angle
flat root side fit



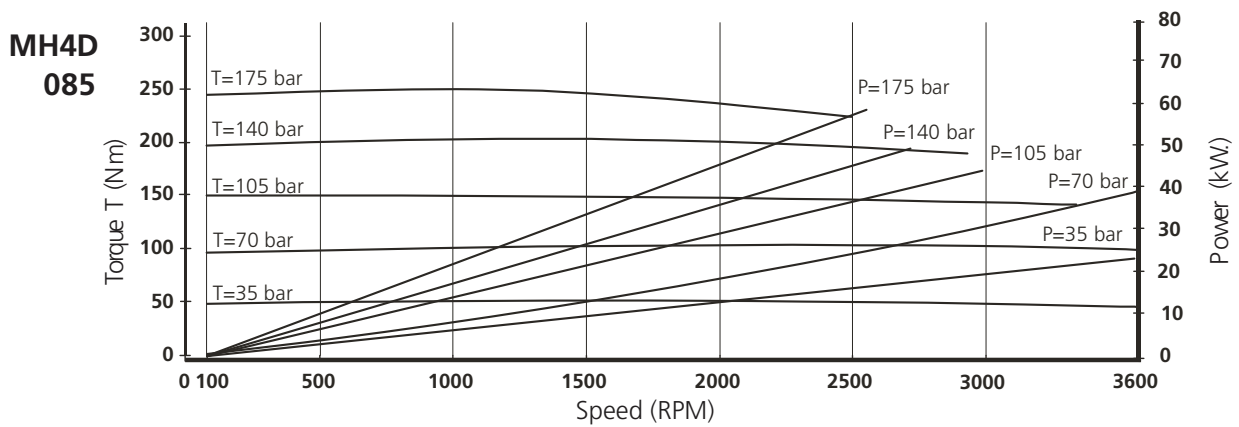
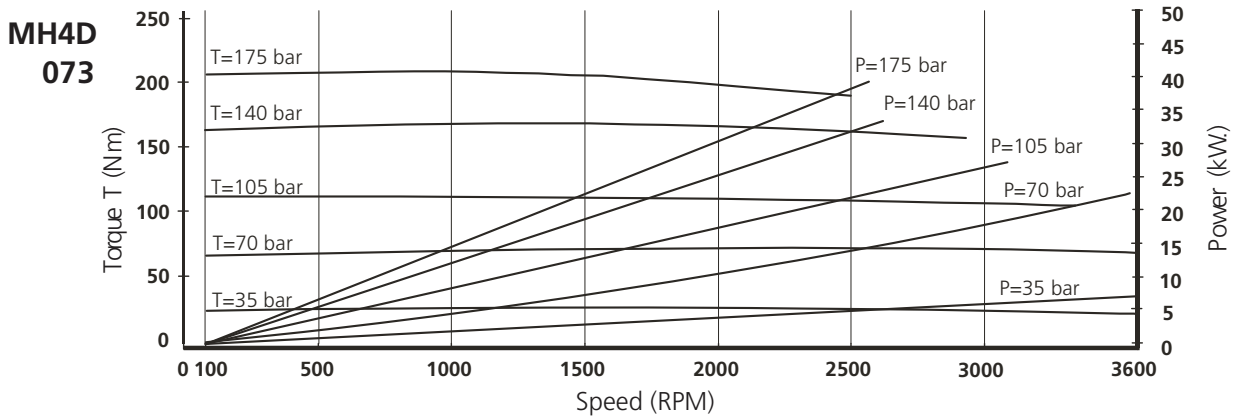
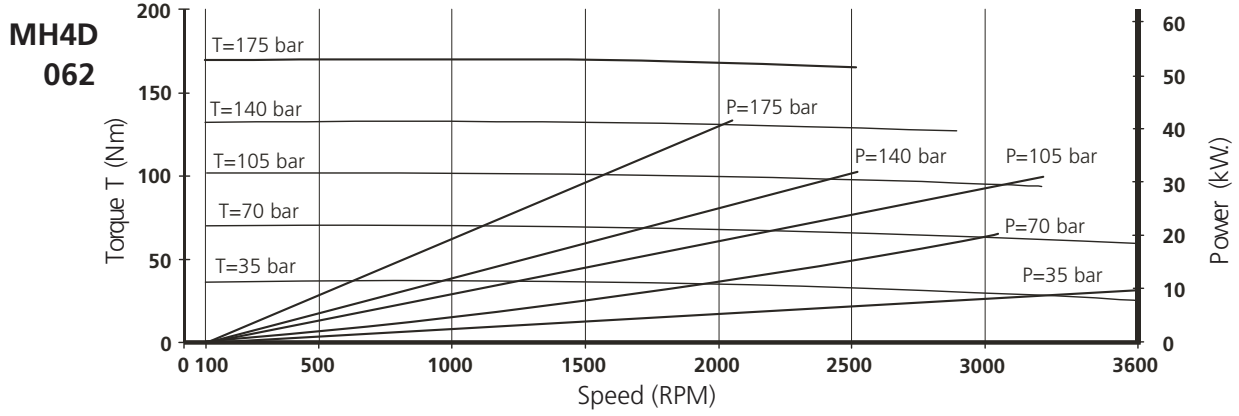
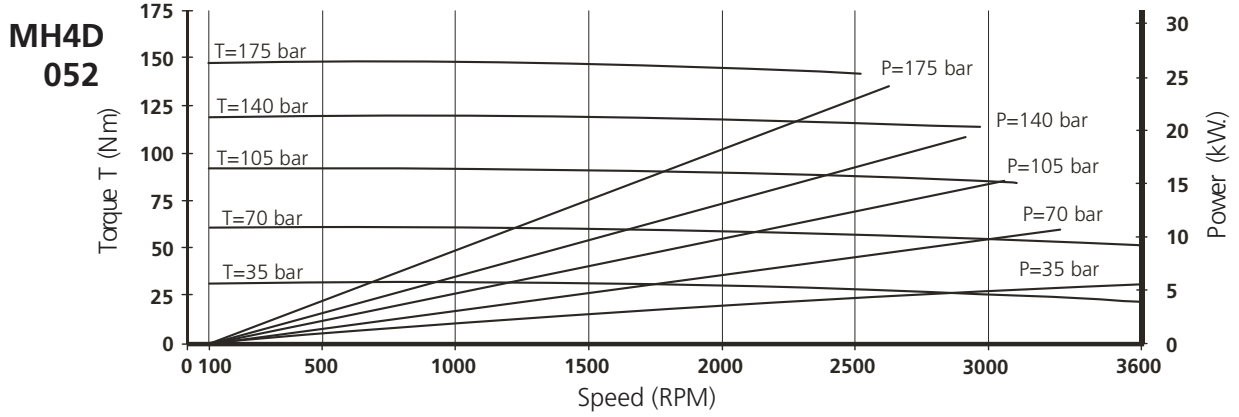
SHAFT CODE 73
Splined shaft
16/32 d.p. - 15 teeth
30° pressure angle
flat root side fit



SHAFT CODE 52
PTO Shaft
ISO/R 500

PERFORMANCE CURVES - OIL VISCOSITY : 24 CST (45°) - MH4D

DATA SHEET



PERFORMANCE CURVES - OIL VISCOSITY : 24 CST (45°) - MH4D

