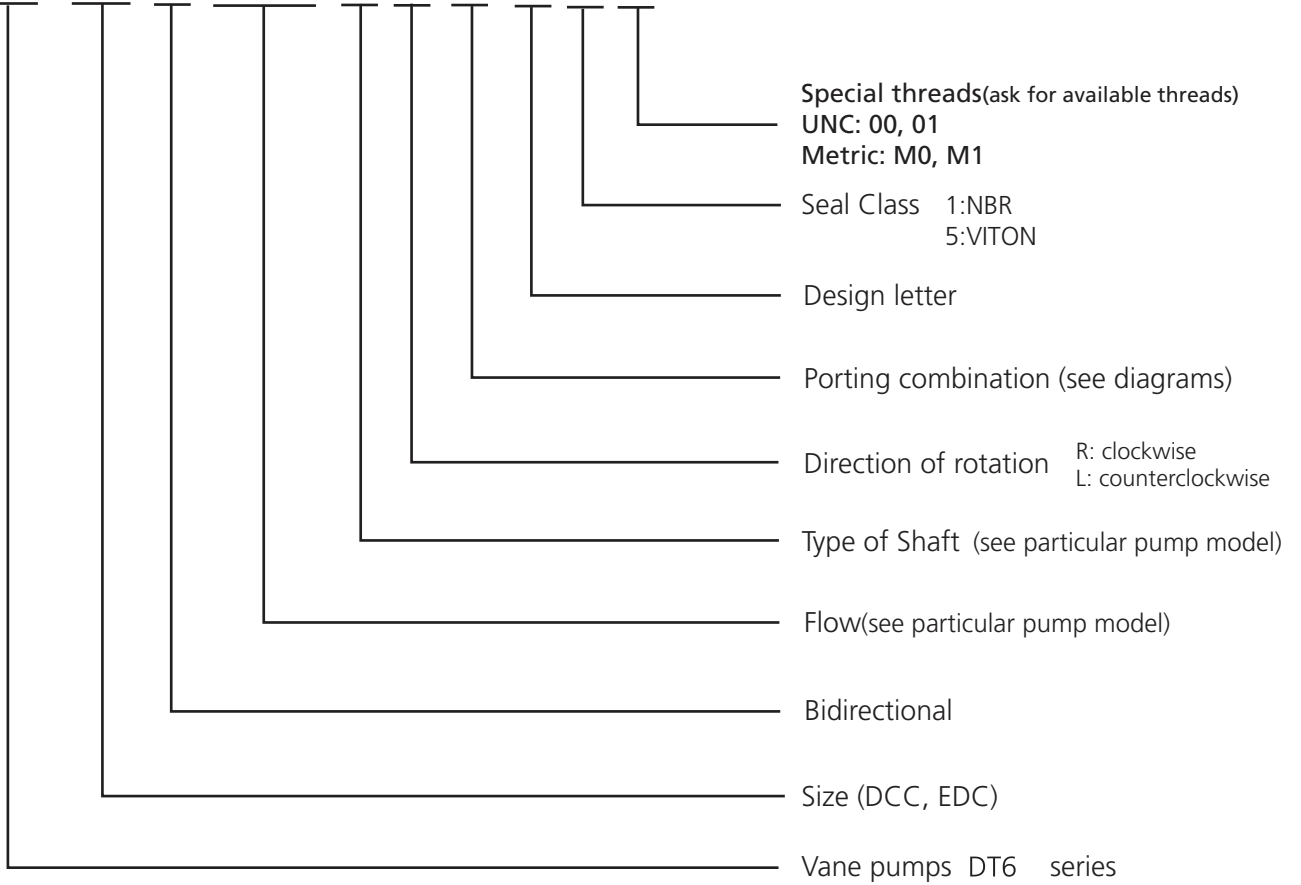


DT6 TRIPLE VANE PUMPS ORDERING CODE

DATA SHEET

DT6 - DCC - B - 62/38/70 - 1 - R - 00 - B - 1 - 00



DT6 TRIPLE VANE PUMPS - GENERAL CHARACTERISTICS

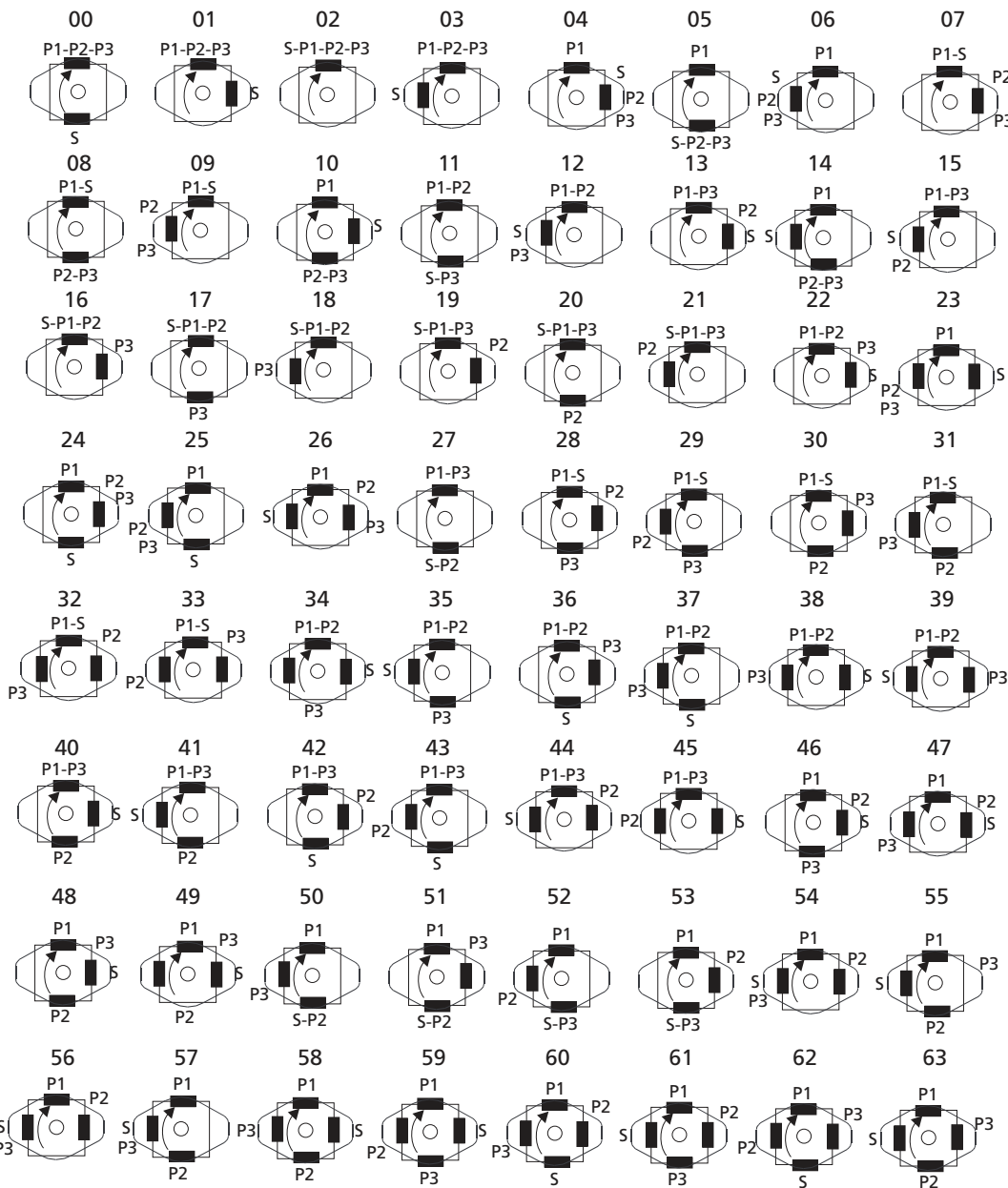
TRIPLE VANE PUMPS

Series	P1			P2			P3			Maximum speed*	Front Flange Standard SAE j744c ISO 3019-1	Weight Kgs	SAE 4 holes flange			
	Cartridge model	Theoretical displacem. Cm ³ /rev	Maximum Pressure*	Cartridge model	Theoretical displacem. Cm ³ /rev	Maximum Pressure*	Cartridge model	Theoretical displacem. Cm ³ /rev	Maximum Pressure*				Suction	Pressure port		
												S	P1	P2	P3	
DT6DCC	014 - 061	48 - 191	240	003 - 031	11 - 100	275	003 - 031	11 - 100	275	2500	SAE C	61	4"	1.25"	1"	1" or 3/4"
DT6EDC	042 - 085	132 - 270	240	014 - 061	48 - 191	240	003 - 031	11 - 100	275	2200	ISO 3019-2	100	4"	1.5"	1.25"	1" or 3/4"

***IMPORTANT**
 C - 025,028,031 - 2500 rpm maximum 028,031 - 210 bar max intermittent
 D - 042,045,050 - 2200 rpm maximum 050 - 210 bar maximum intermittent - 061 - 120 bar maximum intermittent
 E - 085 - 2000 rpm maximum - 90 bar maximum intermittent
 See page 41 for further information about speed and pressure

TRIPLE VANE PUMPS - PORTING COMBINATION

DT6DCC-DT6EDC



S= Suction port | P1= Shaft end pressure port | P2= Middle pressure port | P3= Cover end pressure port

DATA SHEET

DT6DCC - OPERATING CHARACTERISTICS

DATA SHEET

SHAFT END SECTION

FLOW	SPEED (rpm)		PRESSURE (bar)								
	Min.	Máx.	Intermit.	Contin.							
Lts/min.at 1000 rpm	48	66	80	90	98	111	120	136	146	158	191
Gal/min.at 1200 rpm	14	20	24	28	31	35	38	42	45	50	61

* See page 41 for further information about speed & pressure.

MIDDLE SECTION

FLOW	SPEED (rpm)		PRESSURE (bar)										
	Min.	Máx.	Intermit.	Contin.									
Lts/min.at 1000 rpm	11	17	21	26	34	37	46	58	64	70	79	89	100
Gal/min.at 1200 rpm	3	5	6	8	10	12	14	17	20	22	25	28	31

* See page 41 for further information about speed & pressure.

COVER END SECTION

FLOW	SPEED (rpm)		PRESSURE (bar)										
	Min.	Máx.	Intermit.	Contin.									
Lts/min.at 1000 rpm	11	17	21	26	34	37	46	58	64	70	79	89	100
Gal/min.at 1200 rpm	3	5	6	8	10	12	14	17	20	22	25	28	31

* See page 41 for further information about speed & pressure.

DT6DCC - FLOW & INPUT POWER DIAGRAMS

SHAFT END

See **DT6D** Single Pumps for flow and input power diagrams (page 48)

MIDDLE BODY

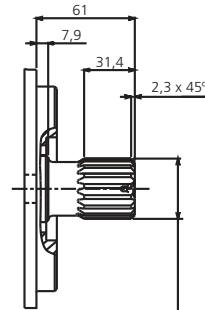
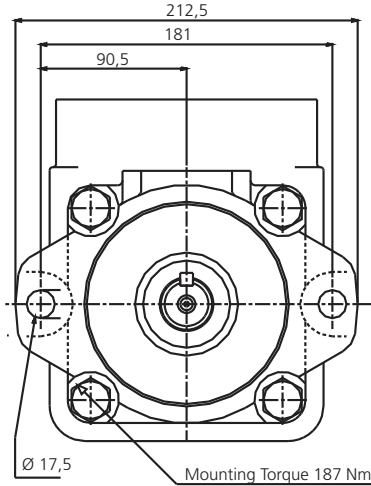
See **DT6C** Single Pumps for flow and input power diagrams (page 46)

COVER END

See **DT6C** Single Pumps for flow and input power diagrams (page 46)

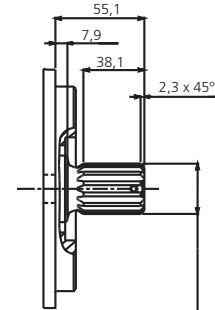
TRIPLE PUMPS DT6DCC - DIMENSIONS

DIMENSIONS IN MILLIMETERS. 1" = 25,4 mm



Shaft Code 4

SAE CC Splined shaft
1-J498b 12/24 d.p. -
17 Teeth
30° Pressure angle



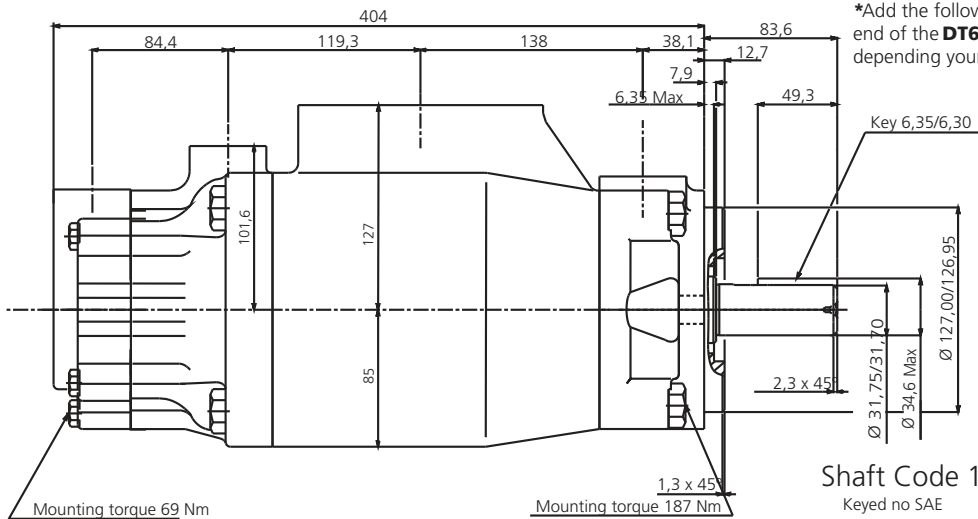
Shaft Code 3

SAE C Splined shaft
1-J498b 12/24 d.p. -
14 Teeth
30° Pressure angle

Shaft Torque limits (cc/rev x bar)				
Pump	Shaft Code	V x P max (P1+P2+P3)	Shaft Code	V x P max (P1+P2+P3)
DT6DCC	1	43240	3	61200
DT6DCCM	2	66500	4	66500

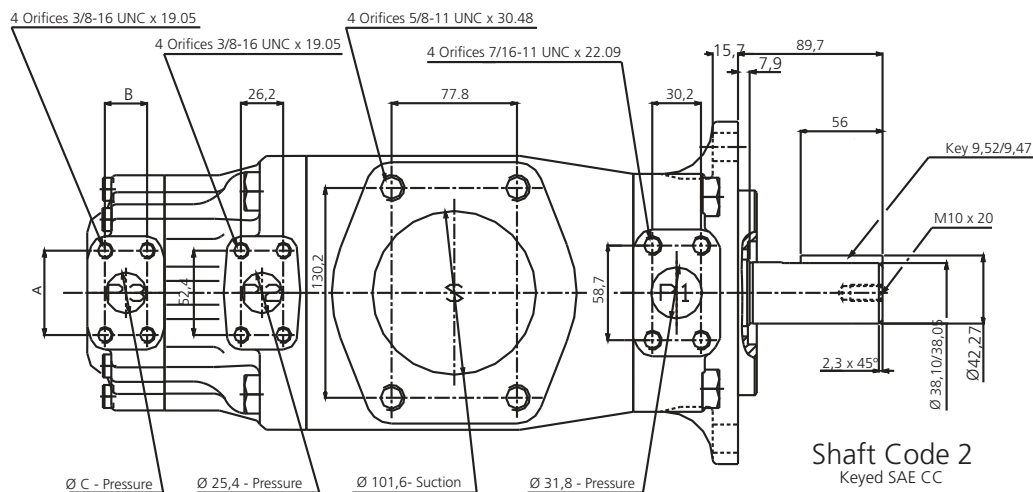
Alternate Ports				
Port	Code	A	B	C
P3	00*	52,4	26,2	25,4
P3	01*	47,6	22,1	19,0

*Add the following numbers at the end of the **DT6DCC** reference depending your option.



Shaft Code 1

Keyed no SAE



Shaft Code 2

Keyed SAE CC

DT6EDC - OPERATING CHARACTERISTICS

SHAFT END SECTION

	FLOW								SPEED (rpm)		PRESSURE (bar)	
	Lts/min.at 1000 rpm	132	142	156	165	197	213	227	270	Mín.	Máx.	Intermit.
Gal/min.at 1200 rpm	42	45	50	52	62	66	72	85	500	2200*	240	210

* See page 41 for further information about speed & pressure.

MIDDLE SECTION

	FLOW										SPEED (rpm)		PRESSURE (bar)		
	Lts/min.at 1000 rpm	48	66	80	90	98	111	120	136	146	158	191	Mín.	Máx.	Intermit.
Gal/min.at 1200 rpm	14	20	24	28	31	35	38	42	45	50	61	500	2500*	240	210

* See page 41 for further information about speed & pressure.

COVER END SECTION

	FLOW										SPEED (rpm)		PRESSURE (bar)				
	Lts/min.at 1000 rpm	11	17	21	26	34	37	46	58	64	70	79	89	100	Mín.	Máx.	Intermit.
Gal/min.at 1200 rpm	3	5	6	8	10	12	14	17	20	22	25	28	31	500	2800*	275	240*

* See page 41 for further information about speed & pressure.

DT6EDC - FLOW & INPUT POWER DIAGRAMS

SHAFT END

See **DT6E** Single Pumps for flow and input power diagrams (page 50)

MIDDLE BODY

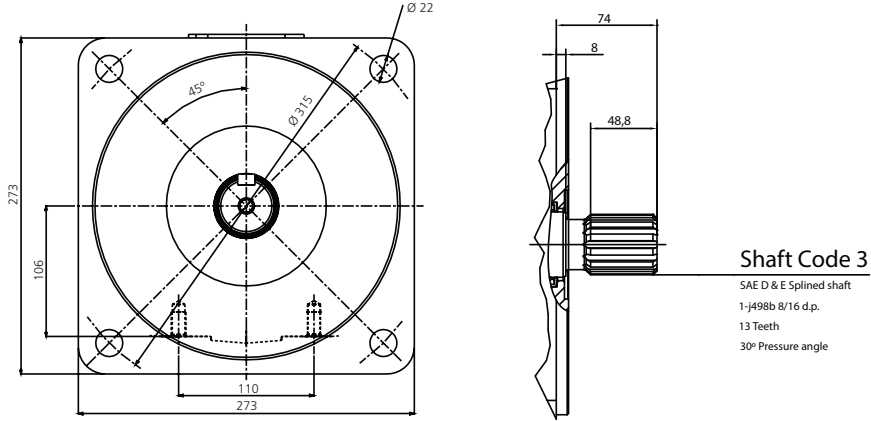
See **DT6D** Single Pumps for flow and input power diagrams (page 48)

COVER END

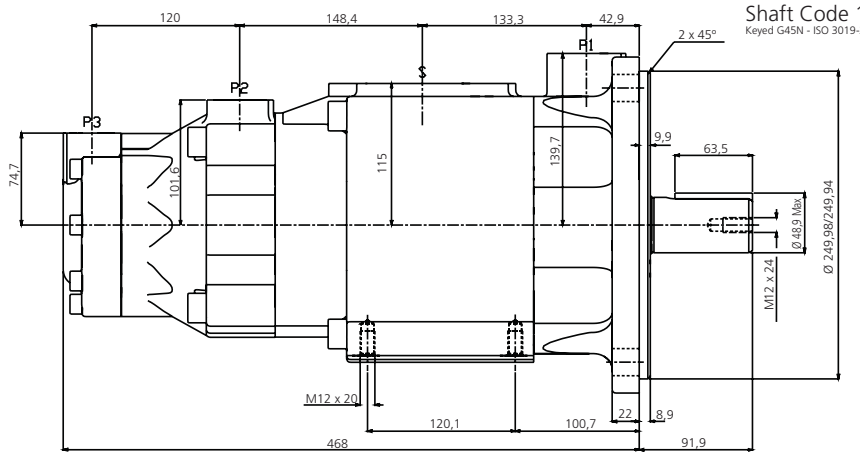
See **DT6C** Single Pumps for flow and input power diagrams (page 46)

TRIPLE PUMPS DT6EDC/DT6EDCM - DIMENSIONS

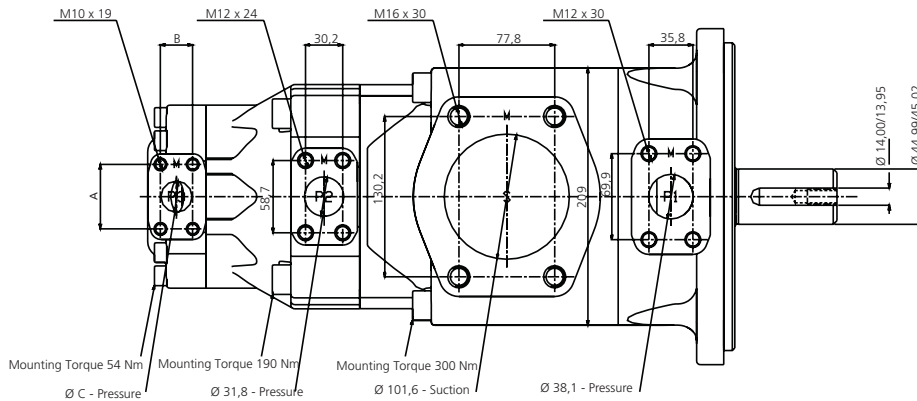
DIMENSIONS IN MILLIMETERS. 1" = 25,4 mm



Shaft Code 3
SAE D & E Splined shaft
1-J498b 8/16 d.p.
13 Teeth
30° Pressure angle



Shaft Code 1
Keyed G45N - ISO 3019-2



Alternative ports				
Port	Code	A	B	C
P3	00*	52,4	26,2	25,4
P3	01*	47,6	22,1	19,0

*Add the following numbers at the end of the **T6EDC** reference depending your option.

Please, contact **TDZ** for special shaft codes not included in this catalogue.

0 - *

Modifications

Mounting w/connection variables
0 = P3 = 1" SAE
1 = P3 = 3/4" SAE